

# COBRA

Screw Vacuum Pumps  
NC 0100 - 0300 B



COBRA NC screw vacuum pumps are high-performance and robust vacuum pumps for process technology. They are used wherever gases and vapors need to be pumped reliably and without contamination. Due to the dry screw technology, the compression chamber is completely free from operating fluids. This design feature minimizes process contamination and maximizes up time by reducing maintenance intervals compared to other technologies.

#### Reliable pumping speed

COBRA NC screw vacuum pumps are designed to achieve a high, stable pumping speed – even at normal working pressure range of 75 to less than 1 Torr.

#### Operationally reliable

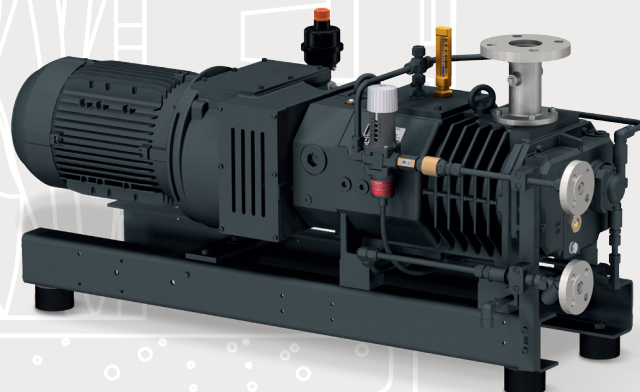
The variable-pitch screw design and free gas discharge allow for a high degree of fluid and particle compatibility. Optimum corrosion resistance is ensured by even temperature distribution. The outstanding levels of efficiency reduce the thermal demand and increase the life cycle.

#### Application-oriented

COBRA NC screw vacuum pumps are available in a range of application-specific versions, and can therefore be finely adjusted to suit any requirement. There are also a variety of custom versions available. Contact a knowledgeable Busch representative for more information.



**COBRA NC – the robust and reliable solution for applications in medium and rough vacuum ranges.**



# COBRA

## Screw Vacuum Pumps NC 0100 - 0300 B



### Technical specifications

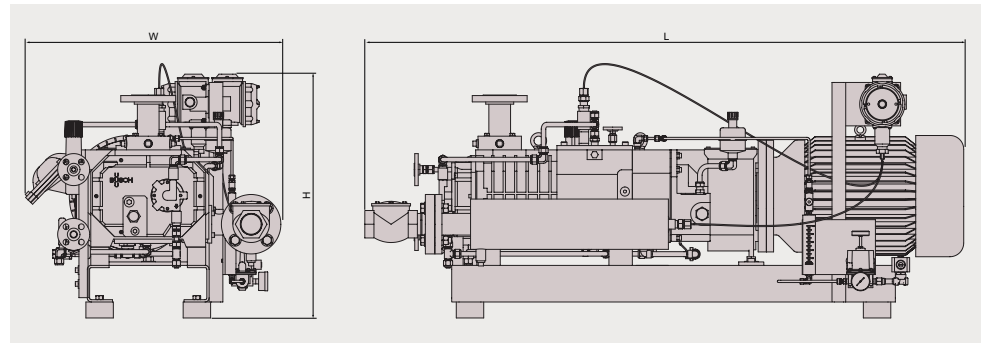
The COBRA NC is a single-stage, rotary screw vacuum pump. Two screw rotors are rotating inside the cylinder. The pumping medium is trapped between the individual screw-shaped rotors, compressed and transported to the gas discharge. During the compression process, the two screw rotors do not come into contact with each other, or with the cylinder. This means there is no need for lubrication or operating fluids in the compression chamber.

Water cooling options include both direct water cooling or radiator cooling with air-cooled heat exchangers. Due to a wide range of technical options and accessories, COBRA NC screw vacuum pumps can be perfectly adjusted to suit every process. The complete COBRA NC series includes pumps with nominal pumping speeds ranging from 50 to 1500 ACFM.

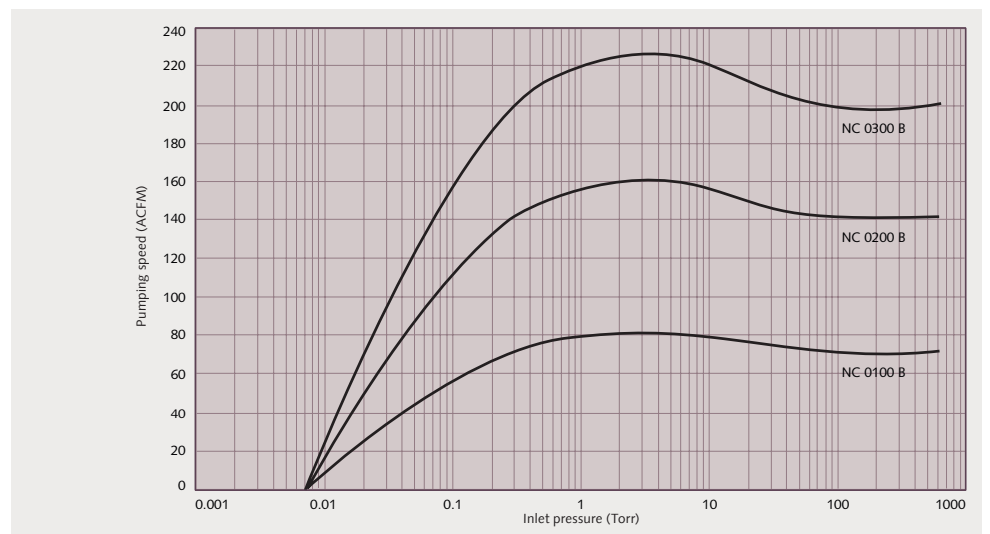
### Accessories/technical options

- Flush package
- Seal purge
- Gas ballast
- Knock out pots
- Variable speed drives

### COBRA NC 0100 - 0300 B



### Pumping speed Air at 70 °F. Tolerance: ± 10%



Technical Data		NC 0100 B	NC 0200 B	NC 0300 B
Nominal pumping speed	ACFM	82	160	225
Ultimate pressure	Torr	0.0075	0.0075	0.0075
Nominal motor rating	HP	5	10	15
Nominal motor speed	RPM	3600	3600	3600
Sound level (ISO 2151) *	dB(A)	74	76	77
Approximate weight *	Lbs.	730	908	1160
Dimensions (L x W x H) *	inches	53 1/8 x 24 1/2 x 26 5/8	61 x 26 x 26 5/8	65 1/2 x 28 x 26 5/8
Gas inlet / outlet	ANSI/NPT	1 1/2" / 1 1/4"	2" / 2"	2" / 2"

\* Direct cooled models

### Busch LLC

516 Viking Drive | Virginia Beach, VA 23452 | Phone 757-463-7800 | marketing@buschusa.com | www.buschusa.com

Argentina Australia Austria Belgium Brazil Canada Chile China Czech Republic Denmark Finland France Germany Hungary India Ireland Israel Italy Japan Korea Malaysia Mexico New Zealand Netherlands Norway Poland Portugal Russia Singapore South Africa Spain Sweden Switzerland Taiwan Thailand Turkey United Arab Emirates United Kingdom USA

Technical data is subject to change. Created in Germany 04/0